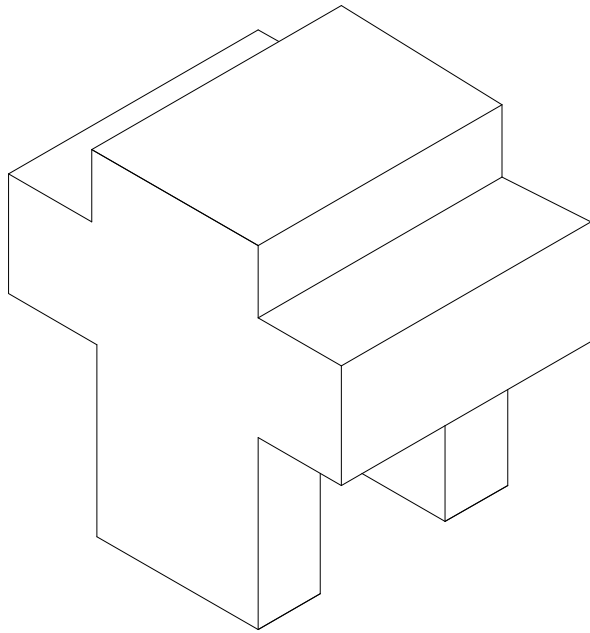
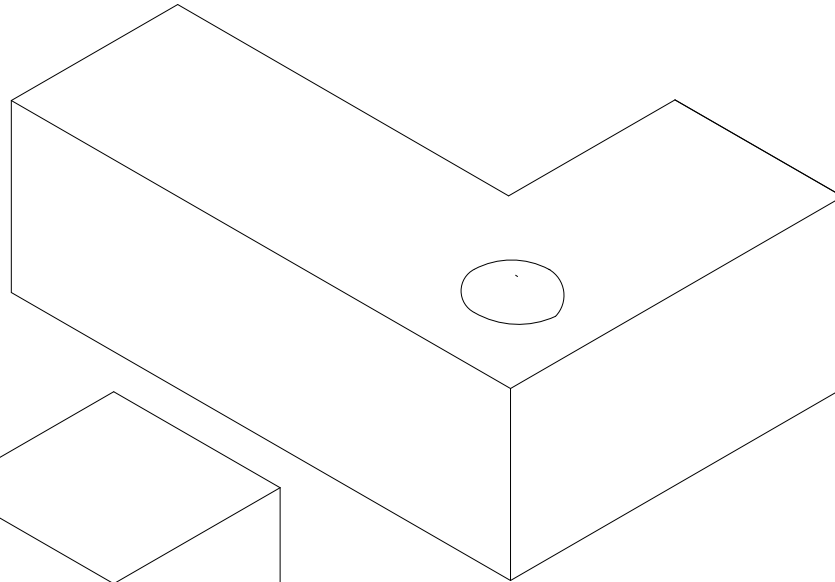


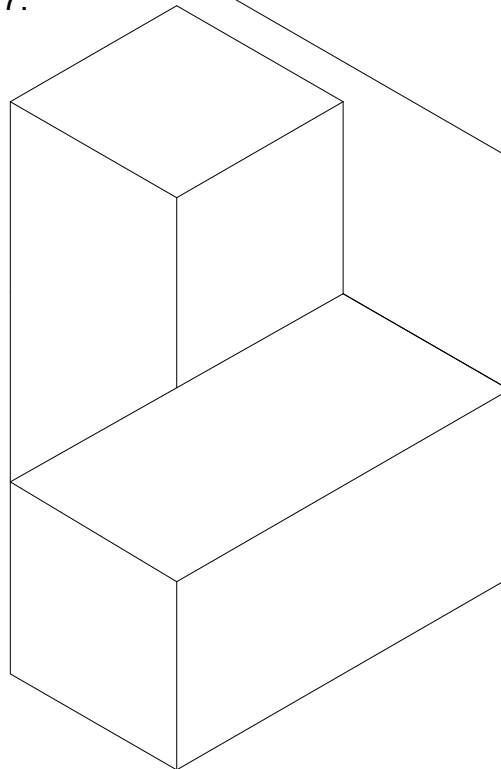
5.



6.



7.



STEVENSON HIGH SCHOOL
TECHNOLOGY EDUCATION DEPARTMENT
TECHNICAL DRAWING PROGRAM

Name: EMILY Z.

DATE: 10-27-11

SCALE: 1-1

1

1